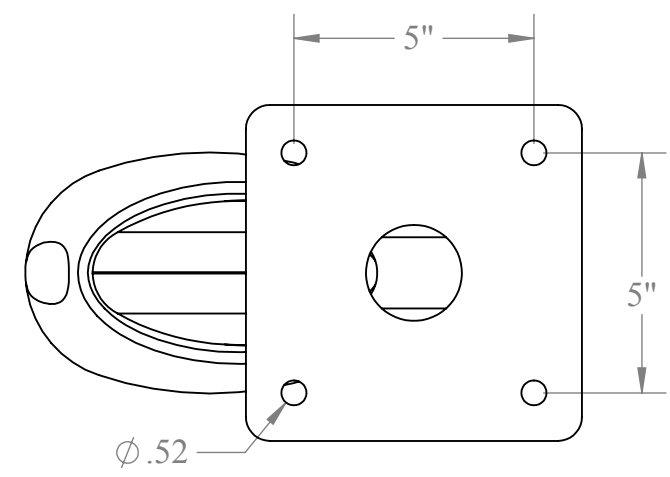
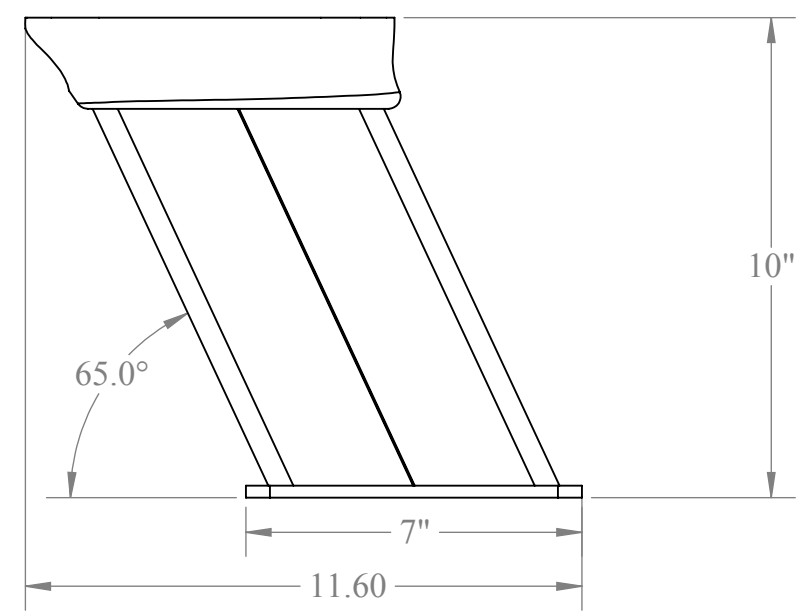
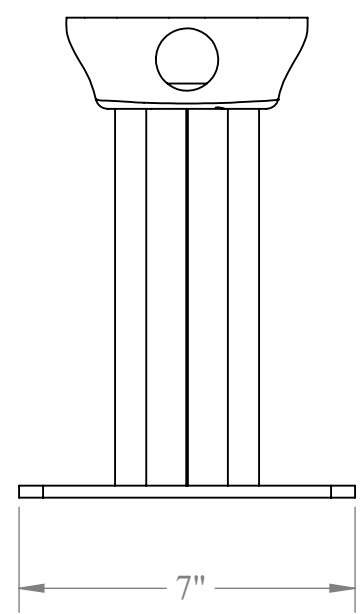


8 7 6 5 4 3 2 1

D
C
B
A

D
C
B
A



PROPRIETARY AND CONFIDENTIAL
 THE INFORMATION CONTAINED IN THIS DRAWING IS THE SOLE PROPERTY OF <INSERT COMPANY NAME HERE>. ANY REPRODUCTION IN PART OR AS A WHOLE WITHOUT THE WRITTEN PERMISSION OF <INSERT COMPANY NAME HERE> IS PROHIBITED.

		UNLESS OTHERWISE SPECIFIED:		NAME	DATE	SEAVIEW TITLE: PMA-107-M1			
		DIMENSIONS ARE IN INCHES		DRAWN	J.BLACK			07.01.14	
		TOLERANCES:		CHECKED					
		FRACTIONAL ±		ENG APPR.					
		ANGULAR: MACH ± BEND ±		MFG APPR.					
		TWO PLACE DECIMAL ±.01		Q.A.			SIZE	DWG. NO.	REV
		THREE PLACE DECIMAL ±.003		COMMENTS:			B		
		INTERPRET GEOMETRIC TOLERANCING PER:					SCALE: 1:4	WEIGHT:	SHEET 1 OF 1
		MATERIAL							
NEXT ASSY	USED ON	FINISH							
APPLICATION		DO NOT SCALE DRAWING							

8 7 6 5 4 3 2 1