

NEW



CPT-S IN-HULL TRANSDUCER

The CPT-S In-hull transducer provides a simple-to-install depth only transducer solution for non-cored fiberglass hulls. Ideal for sailing, cruising, and small powerboat applications, the CPT-S In-hull transducer supports CHIRP operation centered on 200kHz. The CPT-S in-hull directly connects to Element S and connects to Axiom RV, Axiom Pro, and Element HV using the A80490 or A80559 adapters, respectively. An innovative transducer tube housing design allows the CPT-S In-Hull to mount in hulls ranging from 0 to 25 degrees deadrise.



SIMPLE TO INSTALL

The CPT-S In-hull is designed for glue-in installation on vessels with non-cored fiberglass hulls. A cut-to-fit transducer housing allows the transducer to readily adapt to hulls with deadrise angles between 0° and 25°.

SONAR SOLUTION FOR CRUISERS

The CPT-S In-Hull transmits in the High CHIRP band for reliable depth recording, fish targeting, and bottom density. Pair the CPT-S In-hull with a Raymarine MFD for general navigation and scouting anchoring locations.

ACCURATE PERFORMANCE

In-hull transducers offer reliable depth performance at cruising-speeds. The CPT-S In-hull accommodates RIBS, trailer boats, and applications where drilling through the hull or mounting to the transom is not practical.

CPT-S SPECIFICATIONS

GENERAL FEATURES

Sonar Type	CHIRP
Frequency	High CHIRP 170 – 230 kHz
Hull compatibility	Solid, non-cored fiberglass hull
Deadrise Adjustments	0°, 12° or 20°
Depth Range	Up to 600 feet
Cone Angle	25°

MFD COMPATIBILITY

Element	Direct connection to Element S. Compatible with Element HV using the A80559 adaptor
Axiom, Axiom+	Direct connection to Axiom 7 DV. Use the A80490 adaptor for connection to Axiom RV and Axiom+ RV
Axiom Pro	Use the A80490 adaptor for connection to Axiom Pro S, Axiom Pro RVX and the RVX1000
Other/legacy	Direct connection to DownVision variants of aSeries, eS Series, and CP100 Sonar modules

WHAT'S IN THE BOX



In-Hull Transducer Tube

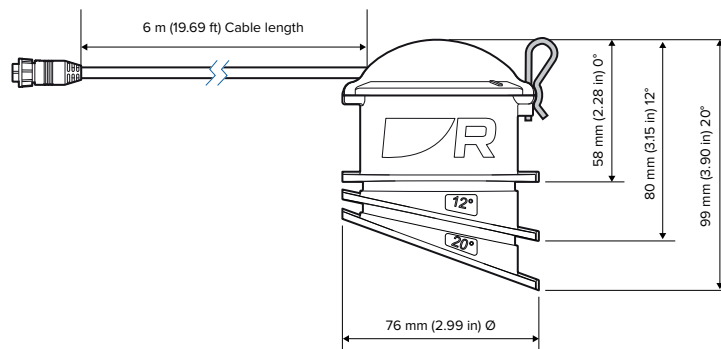


In-Hull Transducer



R-Clip

DIMENSIONS



The technical and graphical information contained in this brochure, to the best of our knowledge, was correct as it went to press. However, the Raymarine policy of continuous improvement and updating may change product specifications without prior notice. Therefore, unavoidable differences between the product and this brochure may occur from time to time, for which liability cannot be accepted by Raymarine.

Some images in this brochure have been used for illustration purposes only.

RAYMARINE
 MARINE HOUSE, CARTWRIGHT DRIVE, SEGENSWORTH, FAREHAM,
 HAMPSHIRE PO15 5RJ, UNITED KINGDOM
 T: (+44) (0)1329 246700

20-1450-MAR / NOVEMBER 2020

Raymarine®